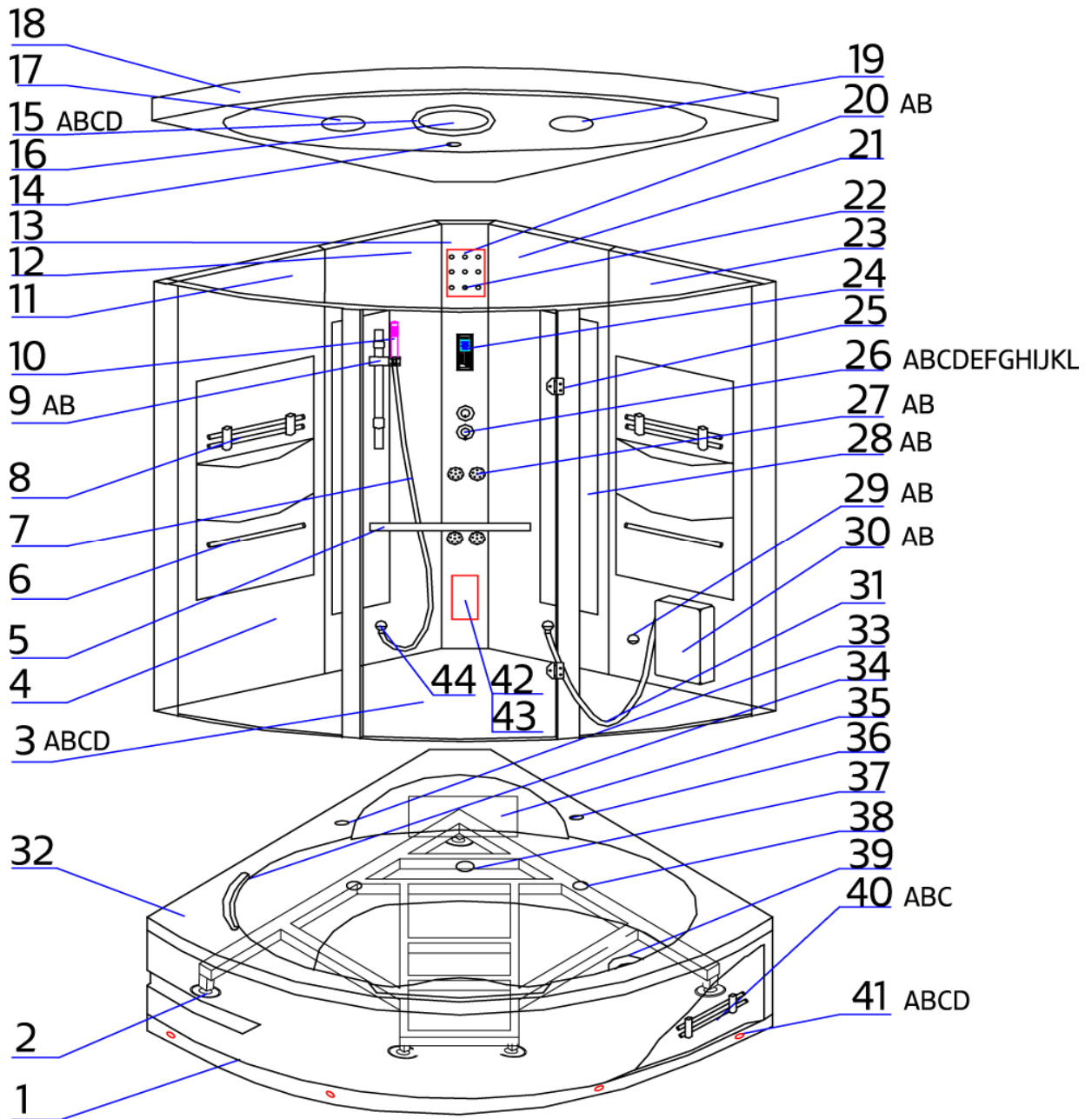


Hafa® Steamer 130





36+45-53
on backside of Steamer

| SKETCHNO. | HAFAS SPAREPARTS NO. | HAFAS STEAMER 130 | HAFAS STEAMER 130 | |
|-----------|----------------------------|--------------------------------|--|---|
| 1 | 9300000 | STEAMER 130 FRONT TILL KAR VIT | Tube skirt | |
| 2 | 9300001 | STEAMER FOT ALLA | Foot |  |
| 3A | 9300002 | STEAMER 130 GLASDÖRR ST | Arc movable glass | |
| 3A | 9300003 | STEAMER 130 GLASDÖRR SS | Arc movable glass | |
| 3B | 9300004 | STEAMER 90/108/130 MAGNETLIST | Magnetic gasket | |
| 3C | 9300005 | STEAMER 90/108/130 TOPP/B LIST | Top/bottom gasket | |
| 3D | 9300006 | STEAMER LIST GGJ SIDA | Gasket - Hinges side | |
| 4 | 9300007 | STEAMER 130 FASTVÄGG ST GGJ | Arc fixed glass incl hinges profile and side profile | |
| 4 | 9300008 | STEAMER 130 FASTVÄGG SS GGJ | Arc fixed glass incl hinges profile and side profile | |
| 4 | 9300009 | STEAMER 130 FASTVÄGG ST MAGN | Arc fixed glass incl magnetic profile and side profile | |
| 4 | 9300010 | STEAMER 130 FASTVÄGG SS MAGN | Arc fixed glass incl magnetic profile and side profile | |
| 5 | 9300011 | STEAMER 130 HANDTAG | Square-shaped handle |  |
| 6 | 9300012 | STEAMER 90/130 HANDUKSST. ENKE | Towel bar |  |
| 7 | 9300013 | STEAMER DUSCHSLANG 150CM | Shower hose |  |
| 8 | 9300014 | STEAMER 90/130 HANDUKSST. DUBB | Towel bar |  |
| 9A | 9300015 | STEAMER DUSCHSTÅNG KOMPL | Lifting bar |  |
| 9B | 9300016 | STEAMER GLIDARE T. DUSCHSTÅNG | Shower holder for lifting bar |  |
| 10 | 9300017 | STEAMER 90/108/130 HANDDUSCH | Copper shower |  |
| 11 | 9300018 | STEAMER 130 BAKVÄGG VÅ M HYLLA | Back board |  |
| 12 | 9300019 | STEAMER 130 BAKVÄGG DUSCHSTÅNG | Back board | |
| 13 | 9300020 | STEAMER 130 KOLONN 2006- | Back panel | |
| 13 | 9300021 | STEAMER 130 KOLONN -2005 | Back panel | |

| SKETCHNO. | SPAREPARTNO. | HAFA STEAMER 130 | HAFA STEAMER 130 | |
|-----------|--------------|--------------------------------|--|---|
| 14 | 9300022 | STEAMER SPOTLIGHT | Ceiling lamp (spotlight) |  |
| 15A | 9300023 | STEAMER LYSRÖR | Circular lamp tube |  |
| 15B | 9300024 | STEAMER TAKTRAFO | Ballast on roof for circular lamp tube |  |
| 15C | 9300025 | STEAMER LAMPHÅLLARE | Holder for circular lamp tube | |
| 15D | 9300026 | STEAMER LAMPSKÄRM | Ceiling lampshade |  |
| 16 | 9300027 | STEAMER TAKDUSCH NY MOD | Sun shower |  |
| 16 | 9300028 | STEAMER TAKDUSCH TROPIC RAIN | Sun shower (old model - Tropic rain) |  |
| 17 | 9300029 | STEAMER FLÄKT | Fan with accessory |  |
| 18 | 9300030 | STEAMER 130 TAK NY MOD | Top cover | |
| 18 | 9300031 | STEAMER 130 TAK GML MOD | Top cover | |
| 19 | 9300032 | STEAMER 130 HÖGTALARE | Speaker with accessory |  |
| 20A | 9300033 | STEAMER TERAPIBELYSNING 2006- | 12V electrical board for small lights |  |
| 20A | 9300034 | STEAMER TERAPIBELYSNING -2005 | Complete therapy light |  |
| 20B | 9300035 | STEAMER KOLONNTRAFO | Ballast on column |  |
| 21 | 9300036 | STEAMER 130 BAKVÄGG M SPEGEL | Back board |  |
| 22 | 9300037 | STEAMER TERAPILAMPSKYDD | Small lampshade |  |
| 23 | 9300038 | STEAMER 130 BAKVÄGG M. FOTMASS | Back board |  |
| 24 | 9300039 | STEAMER 90/108/130 KONTR.PANEL | 108B control panel |  |
| | 9300040 | STEAMER GAMMAL KONTR.PANEL | 195 control panel |  |
| 25 | 9300041 | STEAMER 90/108/130 GGJ | Hinge |  |
| 26A | 9300042 | STEAMER 130 ENGREPP BLANDARE | (Hafa)faucet |  |
| 26B | 9300043 | STEAMER TERMOSTATBL. 5-VÄGS | (Hafa) Thermostatic mixer 5-shift |  |
| 26C | 9300044 | STEAMER OMKASTAR INSATS 5-VÄGS | Diverter 5-shift cartridge |  |

| SKETCHNO. | SPAREPARTNO. | HAFA STEAMER 130 | HAFA STEAMER 130 | |
|-----------|--------------|-----------------------------------|---------------------------------------|---|
| 26D | 9300045 | STEAMER AV/PÅ INSATS TERMST BL | Water cartridge Thermostatic mixer |  |
| 26E | 9300046 | STEAMER TERMOSTAT INSATS | Thermostatic cartridge |  |
| 26F | 9300047 | STEAMER 130 SYMBOLRING | Symbolring for 5-shift Diverter |  |
| 26G | 9300048 | STEAMER SYMBOLRING ON/OFF | Symbolring On/off |  |
| 26H | 9300049 | STEAMER TERMOSTATRING | Thermostatic ring |  |
| 26I | 9300050 | STEAMER OMKASTARVRED | Diverter Handle |  |
| 26J | 9300051 | STEAMER ON/OFF VRED | On/off handle |  |
| 26K | 9300052 | STEAMER TERMOSTAT VRED | Thermostatic handle |  |
| 26L | 9300053 | STEAMER ENGREPPSHANDTAG | On/off handle (Hafa) faucet |  |
| 27A | 9300054 | STEAMER MASSAGEDYSOR ÖVRE | F-12 nozzle |  |
| 27B | 9300055 | STEAMER MASSAGEDYSOR NEDRE | F-12 nozzle |  |
| 28 | 9300056 | STEAMER 130 SPEGEL | Mirror |  |
| 29A | 9300057 | STEAMER ÅNGUTKAST VIT | Steam essence box (cover) |  |
| 29B | 9300058 | STEAMER ÅNGGENOMFÖRING | Steam outlet |  |
| 30A | 9300059 | STEAMER FOTMASSAGE VIT | Massager |  |
| 30B | 9300060 | STEAMER HÅLLARE FOTMASSAGE | Foot massage holder |  |
| 31 | 9300061 | STEAMER FOTMASSAGE SLANG 120CM | Shower hose |  |
| 32 | 9300062 | STEAMER 130 KOMPLETT KAR | Complete tray | |
| 33 | 9300063 | STEAMER LUFTREGLAGE I KAR | Control valve |  |
| | 9300064 | STEAMER LUFTREGLAGE VRED | Upper cover for control valve |  |
| 34 | 9300065 | STEAMER 130 NACKKUDDE | Head pillow |  |
| 35 | 9300066 | STEAMER 130 SITTDYNA | Seat pillow |  |

| SKETCHNO. | SPAREPARTNO. | HAFA STEAMER 130 | HAFA STEAMER 130 | |
|-----------|--------------|--------------------------------------|---------------------------|---|
| 36 | 9300067 | STEAMER 130 PUMP TDA 120 | TDA120 water pump |  |
| 37 | 9300068 | STEAMER 130 PNEUM.STARTKNAPP | Air switch with hose |  |
| 38 | 9300069 | STEAMER SIL F. VATTENINSUG | Cover for recycle water |  |
| 39 | 9300070 | STEAMER 130 DYSA 95MM | 95mm nozzle |  |
| 39 | 9300071 | STEAMER 130 DYSA | Nozzle |  |
| 40A | 9300072 | STEAMER 130 AVLOPPSATS | Copper drain |  |
| 40B | 9300276 | STEAMER AVLOPPSSLANG | Waste pipe |  |
| 40C | 9300074 | STEAMER ÖVERFYLLNADSVRED | Overflow handle |  |
| 41A | 9300075 | STEAMER/BALTIC TÄCKHATT FRONT | Skirt decorate cover |  |
| 41B | 9300076 | STEAMER/BALTIC FÄSTRING FRONT | Skirt copper nut |  |
| 41C | 9300077 | STEAMER/BALTIC FRONTFÄSTVINKEL | L-shaped plastic unit |  |
| 42A | 9300079 | ELBOX HAFA STEAMER 130,160,180 2006- | 108B circuit box |  |
| 42A | | STEAMER ELBOX -2005 | 108 circuit box |  |
| 42B | 9300080 | STEAMER RADIO PANEL | Radio panel |  |
| 43A | 9300081 | STEAMER ÅNGAGGREGAT | Water tank with accessory |  |
| 43B | 9300082 | STEAMER ÅNGRÖR | Steam hose |  |
| 43C | 9300083 | STEAMER MAGNETVENTIL IN ALLA | Inlet magnetic valve |  |
| 43D | 9300084 | STEAMER MAGNETVENTIL UT ALLA | Outlet magnetic valve |  |
| 43E | 9300085 | STEAMER VATTENNIVÅSENSOR ALLA | Water level detector |  |
| 43F | 9300086 | STEAMER ELEMENT ALLA | Heatment tube |  |
| 43G | 9300087 | STEAMER ÖVERHETTN. SKYDD ALLA | over-heat protection |  |
| 44 | 9300088 | STEAMER GENOMFÖRING DUSCH | Water outlet for shower |  |
| 45 | 9300089 | STEAMER 90 GR VINKEL FAST | 90-degree angle for water |  |

| SKETCHNO. | SPAREPARTNO. | HAFSA STEAMER 130 | HAFSA STEAMER 130 | |
|-----------|--------------|--------------------------------|---------------------------------------|--|
| 46 | 9300090 | STEAMER 90 GR VINKEL LEKANDE | 90-degree angle for steam |  |
| 47 | 9300091 | STEAMER T-KOPPLING | T-connector |  |
| 48 | 9300092 | STEAMER SLANGKLÄMMA | Hose clip |  |
| 49 | 9300093 | STEAMER SLANG 50CM | Water hose 50cm |  |
| 50 | 9300094 | STEAMER SLANG 100CM | Water hose 100cm |  |
| 51 | 9300095 | STEAMER SLANG 150CM | Water hose 150cm |  |
| 52 | 9300096 | STEAMER SLANG 200CM | Water hose 200cm |  |
| 53 | 9300097 | STEAMER ÅNGTÖMMNINGSLANG 120CM | Drain hose 120 cm |  |
| 54 | 9300098 | STEAMER 130 MONTERINGSSATS | Complete accessory and assembling kit |  |
| 55 | 9300099 | STEAMER 130 VATTENPÅFYLLNING | Water outlet for bathtub(old model) |  |